

# 2000, Fountain & Fountain 2 Drinking Water Filtration Systems Cartridge removal and replacement instructions

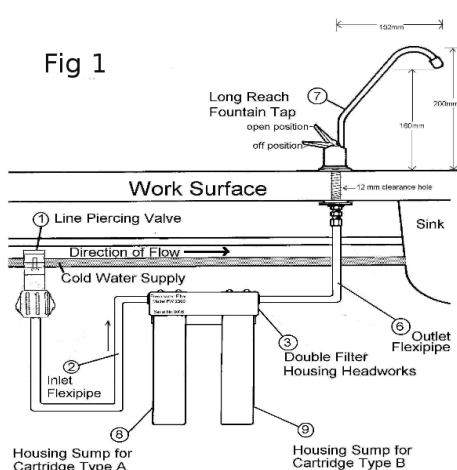
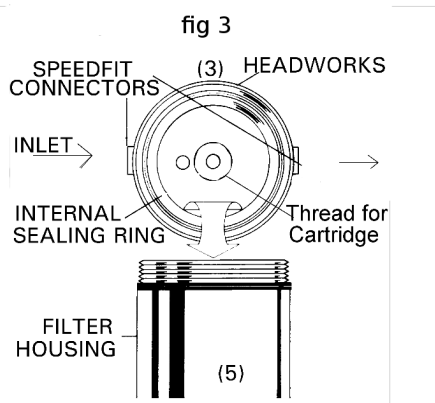
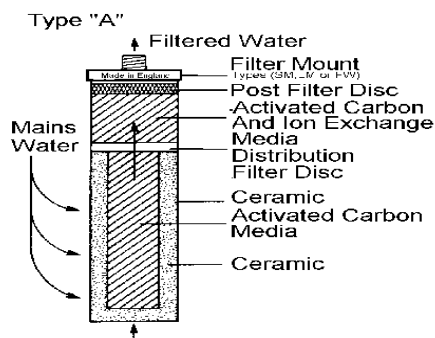


Fig 2



- 1) Open tap and leave it in open position during changing your cartridge.
- 2) Turn off the water line piercing valve under the sink; follow the tube (normally red colour) from the inlet of the filter housing. Turn the T-Bar clockwise to close the valve.
- 3) Opening the filter is very simillar to opening a jam jar (with the head of the filter being the lid) Holding the headworks tightly in one hand and the housing stump in the other, twist the stump clockwise to release it. In some cases it may be difficult to open but with the correct leverage and strength applied the housing and headworks should seperate.
- 4) Remove the old cartridge by tipping the housing body sideways over a bowl or sink. Dispose of old cartridge.
- 5) Check the internal sealing ring(s) inside the headworks and 'O' ring washer on the housing body are correctly located. Fig 3 (Lightly grease with silicone or petroleum jelly if necessary).
- 6) Insert the new cartridge (Fig 2) Remove any protective wrapping from the cartridge(s) and place the cartridge housing the cartridge would be supported by the top and sit on the ring of the housing. For the 2000 & Fountain 2 twin housing system (Fig 1) place the ceramic cartridge into housing 'A' or immediate from the inlet. The plastic cartridge goes into housing 'B'
- 7) Screw together the housing(s). Don't over tighten!
- 8) Turn on the line piercing valve and run the water for a few minutes and adjust the flow rate for the optimum for performance to 1.5 – 2 litres per min/ 15-20 seconds per pint. For the 2000 and fountain 2 models (2.5-3 litres per min or 10-12 sec per pint.) Flush away approximately 5-10 minutes of watwe or until the water becomes clear.
- 9) Close the tap. The unit is now ready for use.