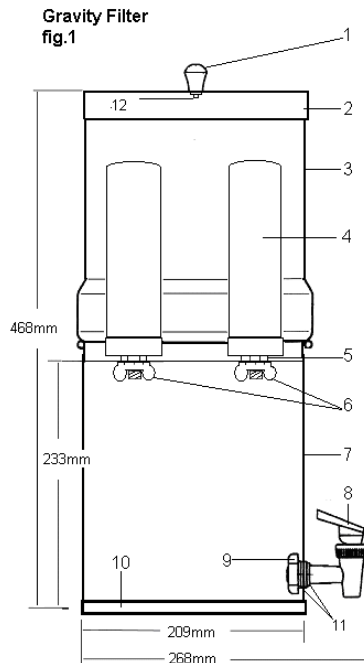


Gravity Water Filtration System Cartridge Replacement Instructions



Gravity Filter Fig. 1 Contents

1. Lid Knob
2. Lid
3. Housing Upper
4. Filter Cartridges
5. Washers
6. Wingnuts
7. Housing Bottom
8. Outlet Tap
9. Tap Nut
10. Anti Condensation Ring
11. Washers

- 1) Remove the cartridge/s (4) from the upper section (3) by unscrewing the wing nut (6) making sure you keep the washer (5) in a safe place for refitting later.
- 2) Remove the new ceramic cartridges from the packaging (Please Note: the number of filters supplied will depend on the filter model purchased. For instance, Filter Model GS2 is supplied with 2 cartridges and a GS4 is supplied with 4 cartridges).
IMPORTANT: Make sure you gently shake your cartridges horizontally to evenly spread the media along the cartridge, as the media may settle at one end of the cartridge.
- 3) Push the sealing washer (5) over the threaded section of the cartridge (4) mount.
- 4) Place the cartridge/s (4) into the holes in the upper section (3). Secure the cartridge/s into the upper Section (3) by screwing the cartridge wing nut (6) onto the threaded cartridge mount from underneath the upper section. 9).
- 5) For specialist systems with added Fluoride and Nitrate cartridges you will require an adaptor with every ceramic cartridge that you have.
- 6) Place the upper section (complete with cartridges and lid) onto the bottom section (7). Fit the non slip/anti-condensation rubber ring (10) on to the lower section. Ensure the tap (8) is in the "OFF" position and fill the upper section (3) with water. The water from the upper section will now filter through the ceramic cartridges into the bottom section giving you clean drinking water.
- 7) Discard the first batch of purified water. This will have flushed the cartridges and you can now use the system as normal.