

Gravity Filter Brochure

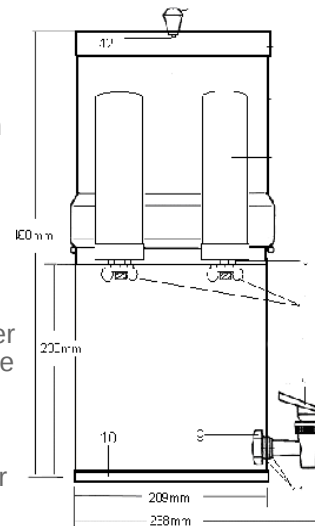
Models: GS2 and GS4

Perfect for use in the field where a regular supply of safe drinking water is unreliable or unobtainable, or simply where a non-plumbed in solution is needed. The free-standing unit consists of two stainless steel containers with lid, tap and base ring. 2, 3 or 4 Ceramic filter candles, are housed in the upper container. Natural fresh water is produced as pure as the way you imagined it should be.

Operation

The upper container is filled with raw water. This percolates through the filter candles into the lower container, for example over night. The water in the bottom container is purified, wholesome, crystal-clear and ready for immediate use or storing in the refrigerator

Our stainless steel Gravity Filtration Systems require no plumbing. A 10 year gurantee comes with all our stainless steel systems which ensure no impurities enter your water after it has been filtered.



Why the Gravity Filter Ticks All The Right Boxes?

- ✓ Portable and inexpensive
- ✓ Easy installation and no plumbing required
- ✓ Constructed of Durable stainless steel
- ✓ WHO Approved
- ✓ Healthy water with all the desirable minerals and trace elements

Why use a Gravity Filter Unit?

Perfect for use in the field where a regular supply of safe drinking water is unreliable or unobtainable, or simply where a non-plumbed in solution is needed. The filter uses ceramic filter candles which trap Pathogenic Bacteria the main causes of diseases such as Dysentery, Cholera, Bilharzia, and Typhoid.



How does it work?

These free standing units consist of two stainless steel containers with lid, tap and base ring. Impure water in the upper container percolates, under the force of gravity passes through ceramic filter candles into the lower container. A tap allows you to access pure, fresh, healthy water from the lower container.





Options

The more filter cartridges in operation, the faster the flow and the higher the volume of purified water between cartridge changes. Typically 1 candle can produce 25 litres of water per day, so 2 and 4 candles produce approximately 50 and 100 litres per day respectively. Systems with two candles normally need to have the candles replaced every 6 months, however systems with 4 can have their candles replaced every year as the capacity of the system as a whole is doubled.

GS2: Can fit two ceramic filter candles
GS4: Can fit four ceramic filter candles

,
f

The Gravity Filter system can be fitted with a range of cartridges depending on what you need to remove.

'UK Water Specialist' filter cartridges are supplied for purification of mains tap water. In addition to pathogenic bacteria, the Sugalite removes organic pollutants, such as agricultural pesticides and herbicides, chlorine, and dissolved heavy metals, such as cadmium, lead, mercury and copper.

'Travellers Cartridge' for the removal of harmful bacteria and parasites but with Granular Activated Carbon for the further improvement of taste and odour.

Warning: It is best to shake the cartridges when you receive them. Cartridge media can settle in one end of the cartridge and the media will expand upon contact with water and could split the cartridge.

Cartridge Add-Ons

Other cartridges can be fitted in conjunction with the main candles for more specific contaminant removal. One specialised element is required per candle. The elements screw onto the candle outlet in the lower chamber

Fluoride can be removed using the Fluoride Removal Cartridge. The addition of fluoride to drinking water has been linked to an increased risk of bone cancer and damage to the central nervous system.

Nitrate can be removed using the Nitrate Removal Cartridge. Nitrates in drinking water have been associated with nitrate cyanosis and 'blue baby syndrome'.

For advice call: 020 8539 4707